


PRODUCT SHEET

Description:

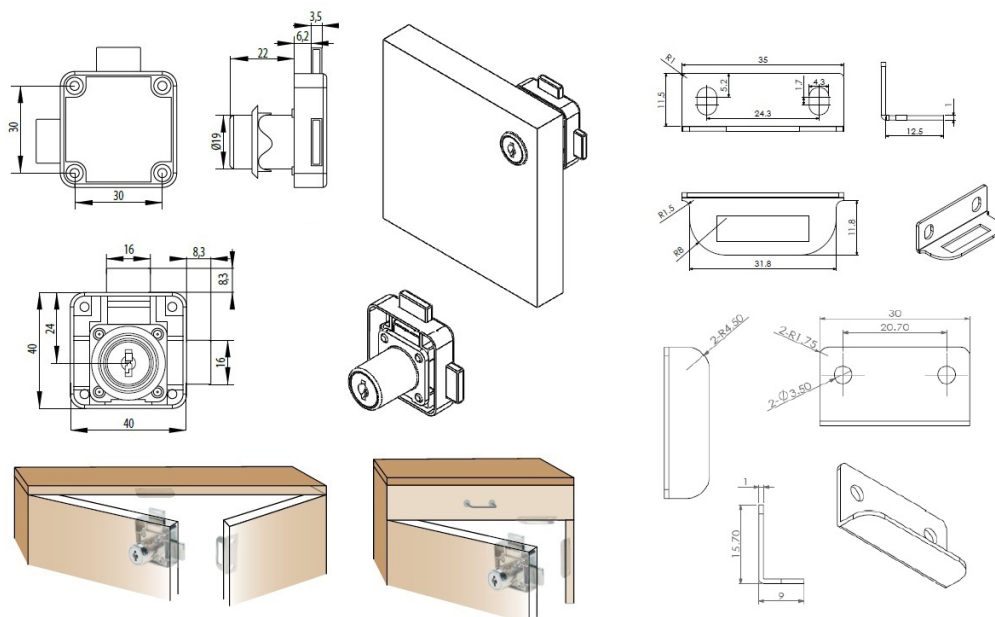
Rim Lock 850, $\varnothing 19 \times 22 \text{mm}$ "L", Double Locking, CK SISO, W/ 2 L-Shaped Metal Strikers, Perfect F/Double Door Cabinets,, Left Hand

Item number:

14.01.251-0

| Units | Box | Carton | HS Code | Barcode |
|-------|-----|--------|------------|--|
| Pcs. | 20 | 200 | 8301300000 |  |
| | | | | 5704866032995 |

LEFT



SISO A/S

Mileparken 11
DK-2740 Skovlunde
Denmark
VAT: DK 24786013

Phone +45 45 830 900

www.siso.dk
siso@siso.dk

Danske Bank
Nytorv Branch
Copenhagen
SWIFT: DABADKKK

Account no.
4180 3112 112936
IBAN Account
DK7230003112112936